



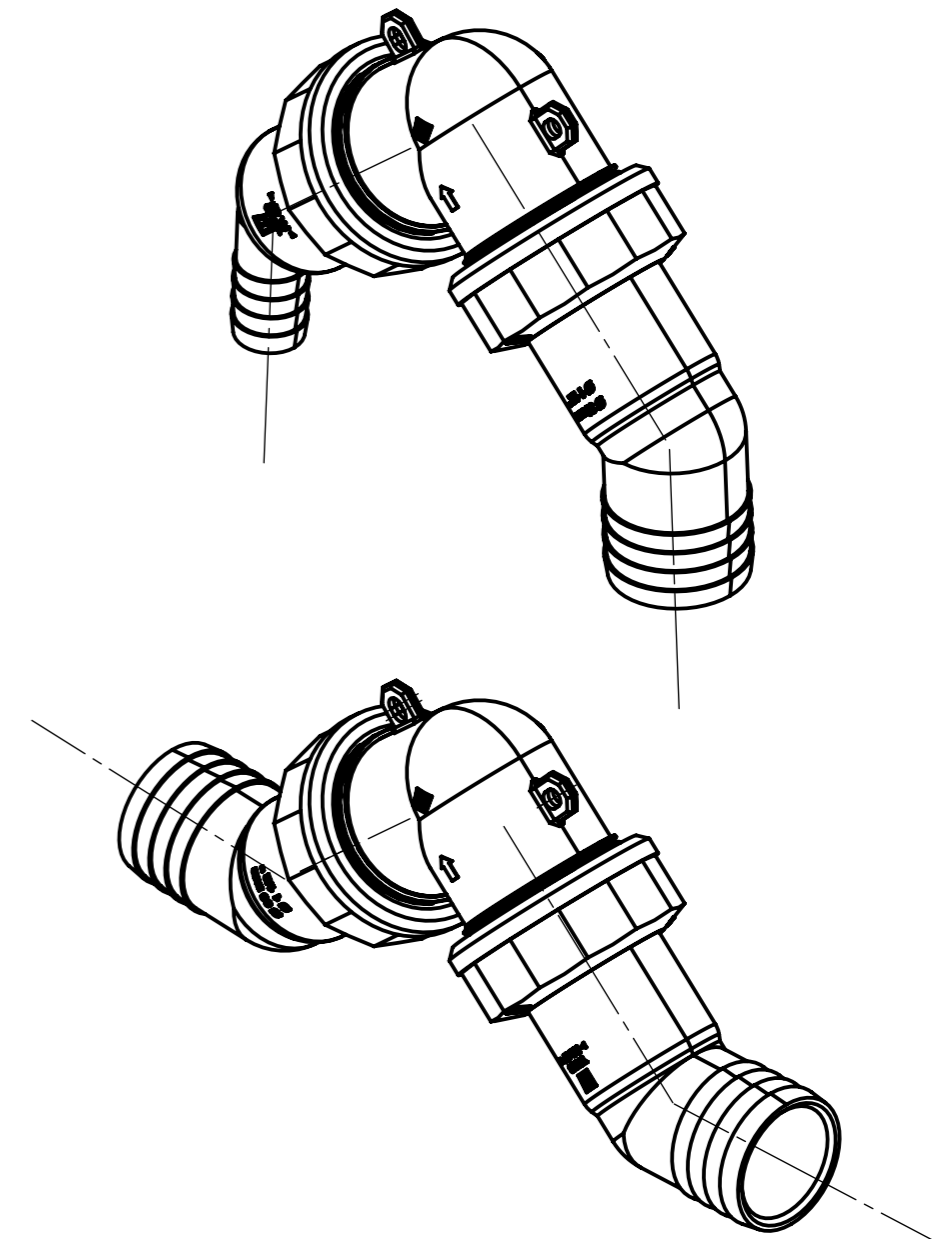
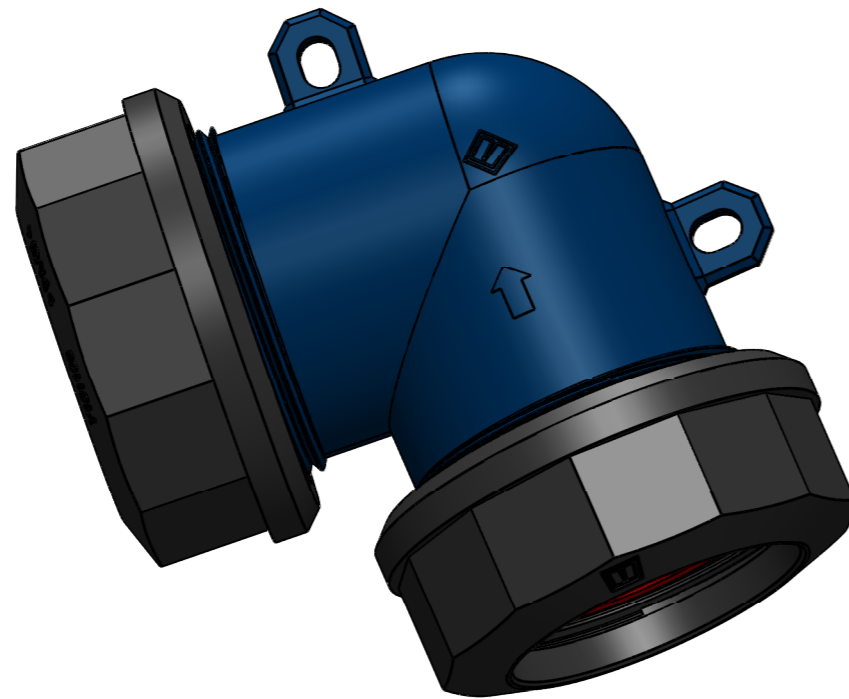
No-return elbow 2x M48x2. Excl. connectors

PART OF THE Y-LINE PRODUCT FAMILY

- MARINE-GRADE REINFORCED POLYMER (PA-GF) HOUSING
- HIGH STRENGTH
- 100% NON-CORROSIVE
- LEAK FREE PERFORMANCE
- 360° ROTABLE 45° HOSE CONNECTIONS

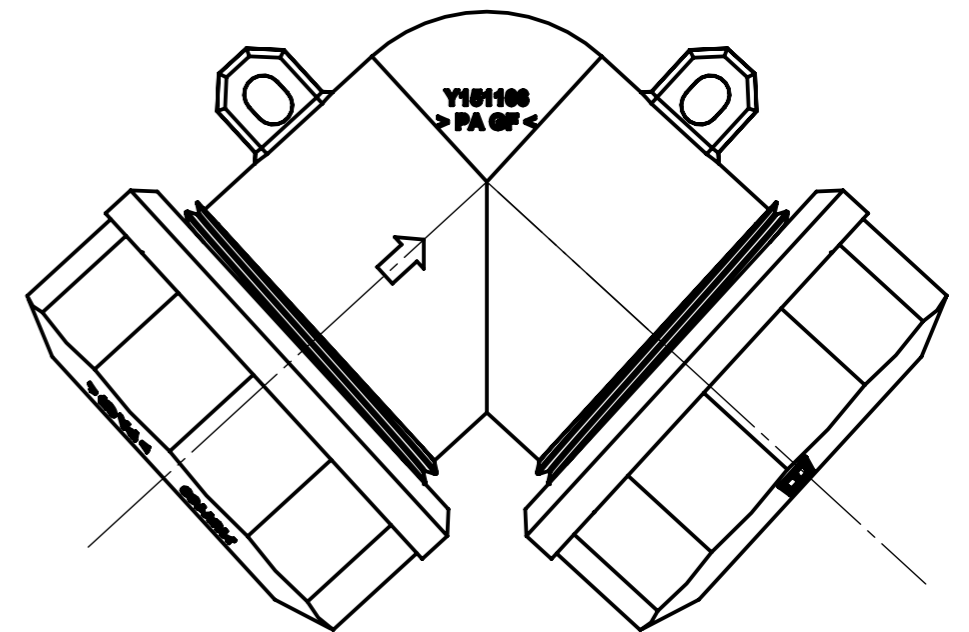
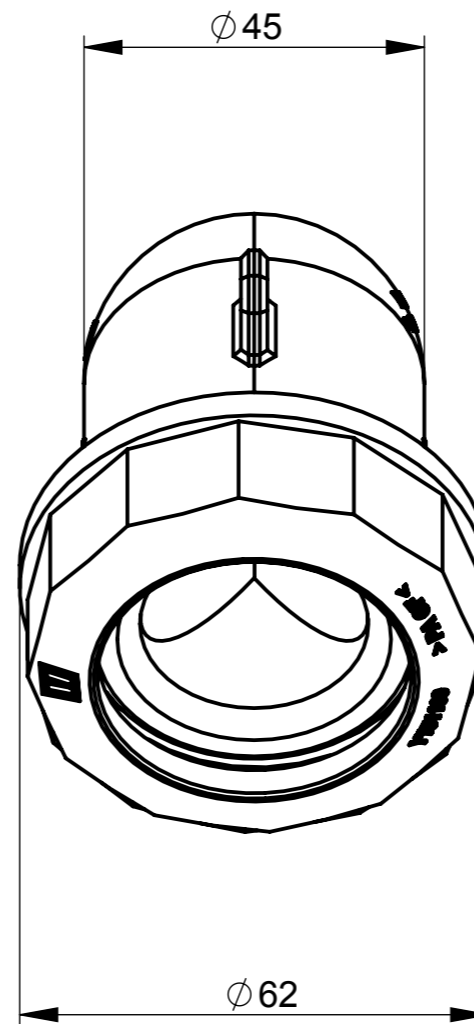
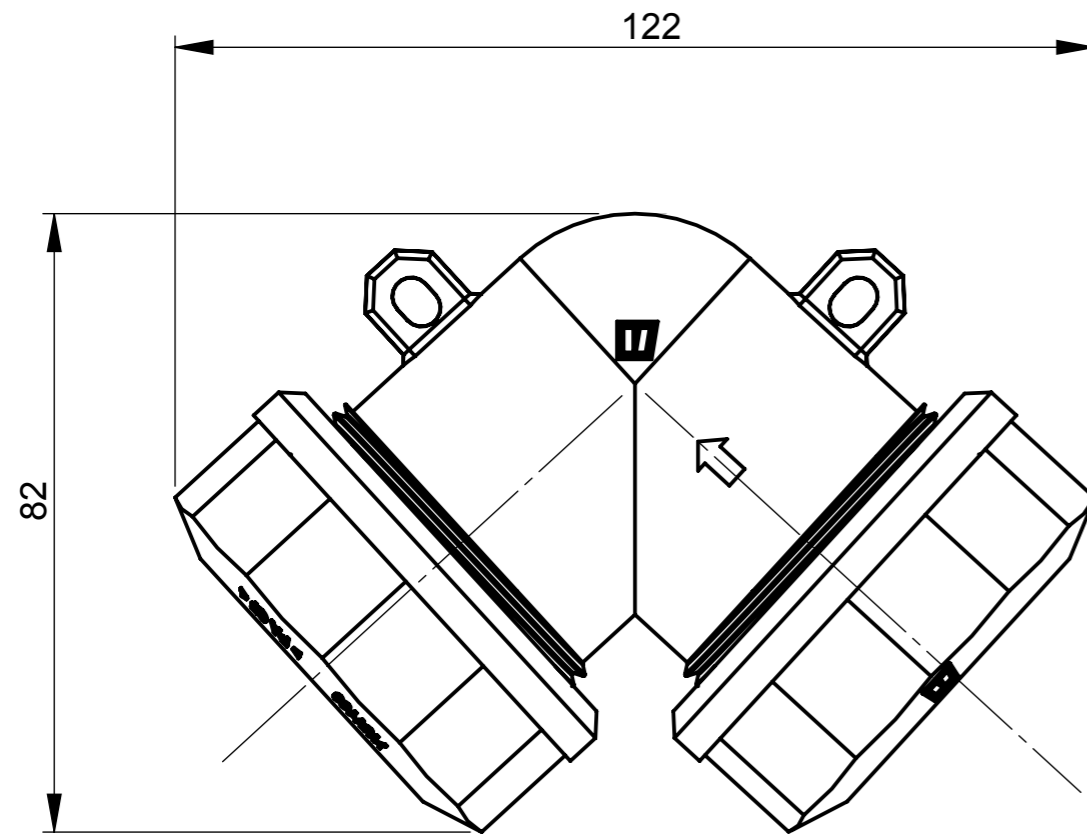
- SUITABLE FOR TEMPERATURES OF -20° UP TO 110°C
- UP TO 4,5 BAR (65 PSI) IN FLOW DIRECTION
- MAXIMUM PRESSURE ON VALVE UP TO 1 BAR (10 m WATER COLUMN, 14,5 PSI)
(ACTUAL PRESSURE DEMAND UNDER DISCUSSION; NEEDS TO BE TESTED)

- INCLUDING THREE-POINT MOUNTING FLANGE AND MOUNTING SCREWS
- EXCLUDING HOSE CONNECTORS
- SELECT HOSE CONNECTOR DIAMETER OF CHOICE; \varnothing 38 / 32 / 28,5 / 25 / 19 mm



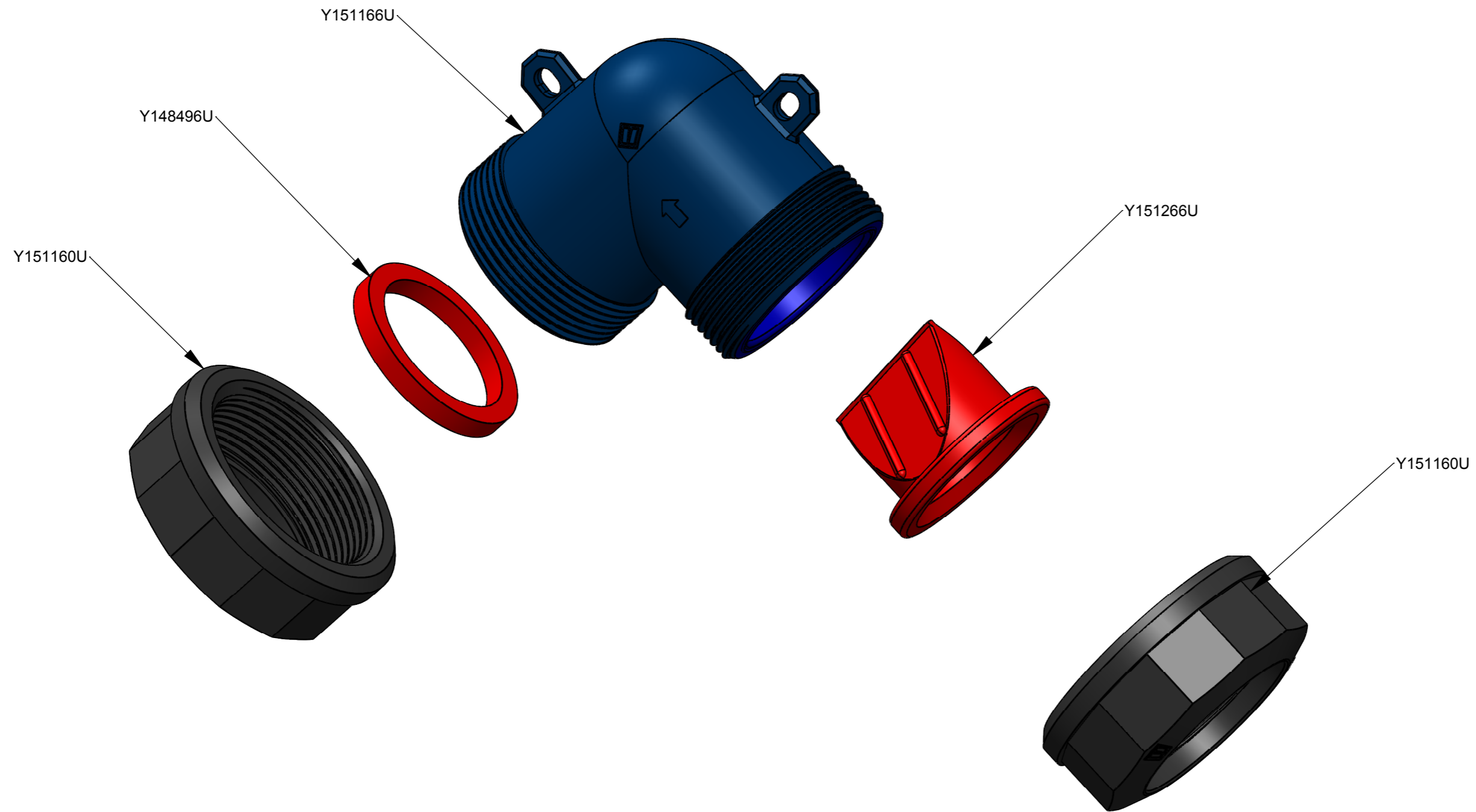


No-return elbow 2x M48x2. Excl. connectors





No-return elbow 2x M48x2. Excl. connectors



PART NUMBER	ERP code	Default/QTY.	Description	Description 2
15-1166	Y151166U	1	Connector elbow	M48x2, 95deg. Blue, PA-GF
15-1160	Y151160U	2	Lock nut M48x2	Black, PA-GF
14-8496	Y148496U	1	Sealing ring, red.	For M48x2 hose connectors
15-1266	Y151266U	1	Non-return valve	For M48x2 hose connectors