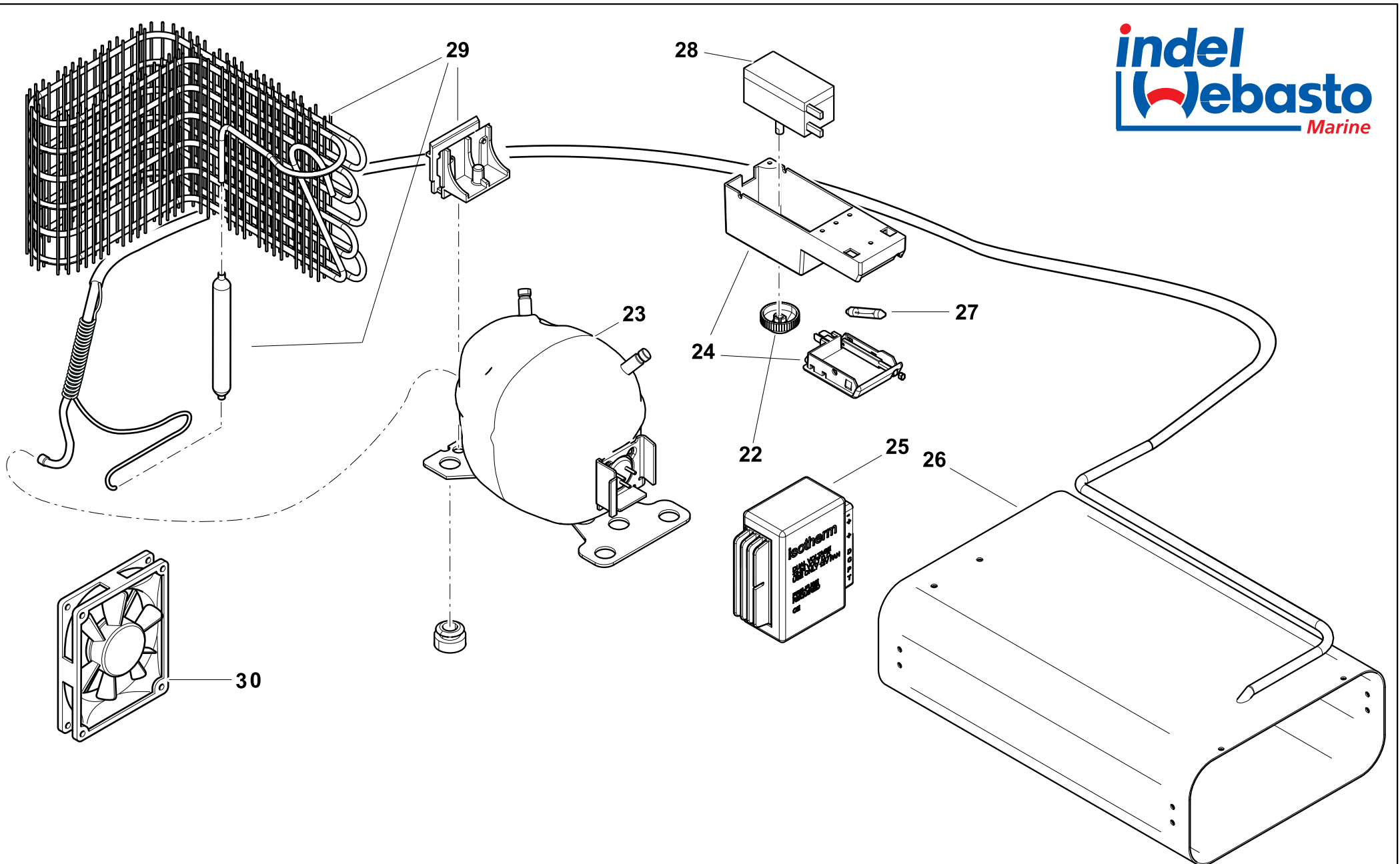


CR 130 ELEGANCE - CABINET



CR 130 - COOLING UNIT

| NUMERO NUMBER | COD. ARTICOLO ITEM CODE | DESCRIZIONE ARTICOLO ITEM DESCRIPTION |
|------------------|----------------------------|----------------------------------------------------------------------------------------------------------------------------------------------------------------------|
| 1 | SGB00134AA | TOP BRIGHT SILVER CR130 ELEGANCE TOP BRIGHT SILVER CR130 ELEGANCE |
| 2 | SBE00194AA | CERNIERA SUPERIORE CR ELEGANCE UPPER HINGE CR ELEGANCE |
| 3 | SGC00302AA | COPERTURA EVAPORATORE PLASTICA BIANCA CR85/CR130 C. PLASTIC COVER FOR EVAPORATOR CR85/CR130 C. |
| 4 | SGC00294AA | PORTINA EVAPORATORE CRUISE CR49/CR65/CR85/CR130 C. & ELEGANCE EVAPORATOR DOOR CRUISE CR49/CR65/CR85/CR130 C. EL. |
| 5 | SGA00161AA | KIT PANNELLO PORTA CR130 ELEGANCE SILVER 720 X 509mm DOOR KIT PANEL CR130 ELEGANCE SILVER |
| 6 | SGC00369AA | PORTA COMPLETA DI ACCESSORI E PANNELLI BRIGHT SILVER CR130 ELEGANCE COMPLETE DOOR CR130 ELEGANCE DOOR PANELS BRIGHT SILVER |
| 7 | SGC00299AA | BALCONCINO CONTROPORTA CON FERMI CR130 C. PLASTIC RETAINER WITH SHELTER CR130 C. |
| 8 | SGC00125AA | FILONCINO METALLO PER BALCONCINO CR130 METAL RETAINER CR130 |
| 9 | SGC00038AA | GRIGLIA INTERNA CR130/CR195 F151 INTERNAL SHELF FOR CR130/CR195 F151 |
| 10 | SGC00292AA | SGOCCIOLATOIO EVAPORATORE CR85/CR130 C. DRIP TRAY FOR CR85/CR130 C. |
| 11 | SGC00300AA | GRIGLIA SUPERIORE PICCOLA CR130 C. SMALL UPPER SHELF CR130 C. |
| 12 | SGC00301AA | CASSETTO INFERIORE PLASTICA BIANCA CR130 C. LOWER PLASTIC DRAWER CR130 C. |
| 13 | SGC00047AB | RIPIANO IN VETRO CR130 SET 2pz GLASS SHELF CR130 SET 2pz |
| 14 | SBE00196AA | STAFFA SOSTEGNO PORTA PLASTICA NERA CR ELEGANCE SUPPORT BRACKET DOOR CR ELEGANCE |
| 15 | SGC00022AA | CUBETTIERA CRUISE ICE CUBE CRUISE |
| 16 | SGE00018AA | KIT CORNICI FISSAGGIO PANNELLO PORTA CR130 ELEGANCE KIT FRAME DOOR FOR FIXING PANEL CR130 ELEGANCE |
| 17 | SGD00043AA | KIT MANIGLIA BRIGHT SILVER COMPLETA DI MOLLE E PERNI PER CR49/65/85/130 ELEGANCE HANDLE BRIGHT SILVER COMPLETE KIT WITH SPRINGS AND PIVOT CR49/65/85/130 ELEGANCE |
| 18 | SBE00195AA | CERNIERA INFERIORE CR ELEGANCE LOWER HINGE CR ELEGANCE |
| 22 | SEA00093AA | MANOPOLA TERMOSTATO CRUISE 49/65/85/130 C. THERMOSTAT KNOB CRUISE 49/65/85/130 C. |
| 23 | SBA00002DA | COMPRESSORE BD35F SENZA CENTRALINA DANFOSS COMPRESSOR BD35F 12/24V NO ELECTRICAL UNIT TP39301 |
| 24 | SEC00004DA | PLAFONIERA COMPLETA 12/24V C. INTERNAL LIGHT KIT 12-24V C. |
| 25 | SEG00002DA | CENTRALINA DANFOSS 101N0210 BD35/50F 12/24V TP39310 ELECTRICAL UNIT DANF. 101N0210 BD35/50F 12/24V TP39310 |
| 25 | SEG00030GA | CENTRALINA DANFOSS B35F/BD50F AC/DC 12/24V-115/230V ELECT. UNIT DANFOSS BD35F/50FAC/DC 12/24V-115/230V |
| 26 | SBF00105AA | EVAPORATORE CR85/130 C. EVAPORATOR FOR CR85/130 C. |
| 27 | SEC00030AA | LAMPADINA LED CR49/65/85/130 ELEGANCE LED LAMP CR49/64/85/130 ELEGANCE |
| 28 | SEA00092DA | TERMOSTATO CRUISE 49/65/85/130 C. THERMOSTAT CRUISE 49/65/85/130 C. |
| 29 | SBD00122AA | KIT CONDENSATORE PER CRUISE C. CONDENSATOR KIT FOR CRUISE C. |
| 30 | SBG00005BA | VENTOLA CABLATA 12V LOW SPEED TP39236 FAN 12V LOW SPEED FOR COMPACT AND CRUISE TP39236 |
| 31 | SGB00147AA | FLANGIA 3 PEZZI 3-LATI CR130 ELEGANCE VERNICIATA SILVER 3 PIECES FRAME 3 SIDES CR130 ELEGANCE SILVER PAINTED |
| 32 | SGF00026AA | INSERTO PLASTICA POSIZIONE VENTILAZIONE/CHIUSURA CR ELEGANCE PLASTIC INSERT VENTILATION/CLOSING POSITION CR ELEGANCE |

| NUMMER | ARTIKELNUMMER | ARTIKEL BESCHREIBUNG |
|--------|---------------|-------------------------------------------------------------------------------------------------------------------------------------------|
| NUMERO | REF. ARTICLE | DESCRIPTION ARTICLE |
| 1 | SGB00134AA | OBERE ABDECKUNG SILBER CR130 ELEGANCE BARRE SUPERIEURE SILVER CR130 ELEGANCE |
| 2 | SBE00194AA | OBERE SCHARNIERE CHARNIERE SUPERIEURE CR ELEGANCE |
| 3 | SGC00302AA | KUNSTSTOFFABDECKUNG FÜR VERDAMPFER CR85/CR130 ELEGANCE PROTECTION PLASTIQUE EVAPORATEUR CR85/CR130 ELEGANCE |
| 4 | SGC00294AA | KLAPPE VOM GEFRIERFACH CR49/65/85/130 C. EL. PORTE EVAPORATEUR CRUISE CR49/CR65/CR85/CR130 C. EL |
| 5 | SGA00161AA | TÜR PANEL + HEBEL PANEL HELL SILBER CR130 ELEGANCE KIT PANNEAU + AUTOCOLLANT POIGNEE CR130 ELEGANCE SILVER |
| 6 | SGC00369AA | KOMPLETTE TÜR CR130 ELEGANCE TÜR PANEELE SILBER PORTE COMPLETE CR130 ELEGANCE SILVER |
| 7 | SGC00299AA | KUNSTSTOFFHALTERUNG MIT SCHUTZ CR130 C BARRE DE RETENUE PLASTIQUE PORTE BOUTEILLE BAS CR130 C. |
| 8 | SGC00125AA | GROSSER METALLHALTER CR130 C. BARRE METAL PORTE BOUTEILLES BAS CR130 C. |
| 9 | SGC00038AA | EINLEGE GITTER CRUISE 130 C. CLAYETTE INTERIEURE CR130 C. |
| 10 | SGC00292AA | AUFANGSCHALE FÜR GEFRIERFACH CR85/CR130 C. BAC DE RECUPERATION POUR CR85/CR130 CHINE |
| 11 | SGC00300AA | KLEINES, OBERE GITTER CR130 C PETITE CLAYETTE SUPERIEURE CR130 C. |
| 12 | SGC00301AA | UNTERSTE SCHUBLADE WEISSEM KUNSTSTOFF CR130 C. TIROIR BAS EN PLASTIQUE BLANC CR130 C. |
| 13 | SGC00047AB | GLASSBODEN CR130 SATZ 2 ST. CR130 C. ÉTAGÈRE EN VERRE CR130 Kit 2 pc. CR130 C. |
| 14 | SBE00196AA | HALTERUNG FÜR TÜR CR ELEGANCE SUPPORT INFERIEUR PORTE CR ELEGANCE |
| 15 | SGC00022AA | EISWÜRFEL KIT CRUISE BAC A GLACONS CRUISE |
| 16 | SGE00018AA | SATZ TÜRRAHMEN ZUR PANELMONTAGE CR130 ELEGANCE NR. 5 SET KOMPLET KIT 5 PIECES POIGNEE CR130 ELEGANCE |
| 17 | SGD00043AA | HEBELPANEL HELL SILBER KOMPLETER SATZ mit FEDER U. DREHPUNKT CR49/65/85/130 ELEGANCE KIT COMPLET POIGNEE PORTE CR49/65/85/130 ELEGANCE |
| 18 | SBE00195AA | UNTERE SCHARNIERE CR ELEGANCE CHARNIERE INFERIEURE CR ELEGANCE |
| 22 | SEA00093AA | THERMOSTAT KNOPF CRUISE 49/65/85/130 C. BOUTON THERMOSTAT CRUISE 49/65/85/130 C. |
| 23 | SBA00002DA | SECOP KOMPRESSOR BD35F 12/24V OHNE STEUERGERÄT COMPRESSEUR SECOP BD35F 12/24V SANS BOITIER ELECTRONIQUE |
| 24 | SEC00004DA | KIT INTERNES LICHT 12-24V C. KIT BOITIER ECLAIRAGE 12-24V |
| 25 | SEG00002DA | STEUERGERÄT SECOP 101N0210 BD35/50F 12/24V BOITIER ELECTRONIQUE SECOP 101N0210 BD35/50F 12/24V |
| 25 | SEG00030GA | STEUERGERÄT SECOP BD35F/50FAC/DC 12/24V-115/230V BOITIER ELECTRONIQUE SECOP BD35F/50FAC/DC 12/24V-115/230V |
| 26 | SBF00105AA | VERDAMPFER CR85/CR130 ELEGANCE EVAPORATEUR CR85/CR130 ELEGANCE |
| 27 | SEC00030AA | LED LEUCHTMITTEL CR49/64/85/130 ELEGANCE AMPOULE LED CR49/64/85/130 ELEGANCE |
| 28 | SEA00092DA | THERMOSTAT CRUISE 49/65/85/130 C. THERMOSTAT CRUISE 49/65/85/130 C. |
| 29 | SBD00122AA | KIT KONDENSATOR FÜR CR65 C KIT CONDENSEUR CRUISE C. |
| 30 | SBG00005BA | LÜFTER 12V LOW SPEED FÜR COMPACT UND CRUISE VENTILATEUR 12V PETITE VITESSE POUR COMPACT ET CRUISE |
| 31 | SGB00147AA | 3 SEITIGE RAHMEN (3 ST.) CRUISE 130 ELEGANCE SILBER CADRE D'ENCASTREMENT 3 PIECES/3COTES CR130 ELEGANCE SILVER |
| 32 | SGF00026AA | KUNSTSTOFFEINSATZ VENTILATION/GESCHLOSSEN POSITION CR ELGANCE ELEMENT DE BLOCAGE VENTILATION/FERMETURE CRUISE ELEGANCE |

| NÚMERO NUMBER | NÚMERO ARTICULO ARTIKELNUMMER | DESCRIPCIÓN DE LA PARTE ARTIKELBESKRIVNING |
|------------------|----------------------------------|--------------------------------------------------------------------------------------------------------------------------------------|
| 1 | SGB00134AA | BARRA SUPERIOR PLATEADA CR130 ELEGANCE TOP SILVER CR130 ELEGANCE |
| 2 | SBE00194AA | BISAGRA SUPERIOR CR ELEGANCE ÖVRE GÅNGJÄRN CR ELEGANCE |
| 3 | SGC00302AA | PROTECCION DE PLASTICO BLANCA PARA EVAPORADOR CR49/CR65 ELEGANCE VITT PLASTHÖLJE FÖR FÖRÅNGARE CR85/CR130 C. |
| 4 | SGC00294AA | PUERTA EVAPORADOR CRUISE CR49/CR65/CR85/CR130 C.&ELEGANCE DÖRR FÖRÅNGARE CR49/CR65/CR85/CR130 C. & EL |
| 5 | SGA00161AA | KIT PANEL DE PUERTA CR130 ELEGANCE SILVER 720X509 mm KIT DÖRRPANEL CR130 ELEGANCE SILVER 720 X 509mm |
| 6 | SGC00369AA | PUERTA COMPLETA DE ACCESORIOS Y PANELES CR130 ELEGANCE SILVER DÖRR CR130 ELEGANCE SILVER KOMPLETT |
| 7 | SGC00299AA | BARRA ESTANTE PUERTA CR130 C. DÖRRHYLLA MED HÅLLARE CR130 C. |
| 8 | SGC00125AA | BARRA SOPORTE METAL PARA ESTANTE PUERTA BAS CR130 METALHÅLLARE FÖR DÖRRHYLLA CR130 |
| 9 | SGC00038AA | REJILLA INTERIOR CR130/CR195 F151 HYLLA CR130/CR195 (F151) |
| 10 | SGC00292AA | DEPOSITO ANTI GOTEAO PARA CR85/CR130 C, DROPP-FAT CR85/CR130 C. |
| 11 | SGC00300AA | REJILLA SUPERIOR PEQUEÑA CR130 C. LITEN ÖVRE HYLLA CR130 C. |
| 12 | SGC00301AA | CAJON INFERIOR DE PLASTICO BLANCO CR130 C. NEDRE PLASTLÅDA VIT CR85/CR130 C. |
| 13 | SGC00047AB | ESTANTE DE CRISTAL CR130 KIT 2 PIEZAS GLASHYLLA CR130 (2 ST) |
| 14 | SBE00196AA | SOPORTE DE PLASTICO NEGRO DE PUERTA CR ELEGANCE DÖRRSTÖD I SVART PLAST CR ELEGANCE |
| 15 | SGC00022AA | CUBITERA CRUISE ISBIT KIT CRUISE |
| 16 | SGE00018AA | KIT MARCO FIJACION PANEL CR130 ELEGANCE KIT DÖRR-LISTER CR130ELEGANCE (5 SET) |
| 17 | SGD00043AA | KIT COMPLETO TIRADOR PUERTA BRIGHT SILVER CR49/65/85/130 ELEGANCE KIT HANDTAG SILVER KOMPLETT MED FJADER OCH CYLINDER CR ELEGANCE |
| 18 | SBE00195AA | BISAGRA INFERIOR CR ELEGANCE NEDRE GÅNGJÄRN CR ELEGANCE |
| 22 | SEA00093AA | RUEDA REGUL. TERMOSTATO CRUISE 49/65/85/130 DR 49/55/65 C. TERMOSTAT-VRED CRUISE 49/65/85/130 DR49/55/68 |
| 23 | SBA00002DA | COMPRESOR SECOP BD35F 12/24V SIN CAJA ELECTRONICA KOMPRESSOR SECOP BD35F 12/24V UTAN ELDEL |
| 24 | SEC00004DA | KIT DE LUZ INTERNA 12-24V C. BELYSNINGSARMATUR 12/24V |
| 25 | SEG00002DA | CAJA ELECTRONICA DANFOSS/SECOP 101N210 BD35/50F 12/24V ELDEL SECOP 101N0210 BD35/50F 12/24V |
| 25 | SEG00030GA | CAJA ELECTRONICA DANFOSS/SECOP BD35F/50FAC/DC 12/24V-115/230V ELDEL SECOP B35F/BD50F AC/DC 12/24V-115/230V |
| 26 | SBF00105AA | EVAPORADOR CR85/CR130 C. FÖRÅNGARE CR85/130 C. |
| 27 | SEC00030AA | LUZ LED CR49/64/85/130 ELEGANCE LED LAMPA CR49/64/85/130 ELEGANCE |
| 28 | SEA00092DA | TERMOSTATO CRUISE 49/65/85/130 C. TERMOSTAT CRUISE 49/65/85/130 C. |
| 29 | SBD00122AA | KIT CONDENSADOR CRUISE C. KIT KONDENSOR CR C. |
| 30 | SBG00005BA | VENTILADOR 12V LOW SPEED FLÅKT 12V LOW SPEED |
| 31 | SGB00147AA | MARCO 3 PIEZAS/ 3 LADOS CR130 ELEGANCE SILVER 3 SIDOR RAM (3 DELAR) SILVER CR130 ELEGANCE |
| 32 | SGF00026AA | PLASTICO POSICION VENTILACION/CIERRE CRUISE ELEGANCE VENTILATION/STANGINGS STALLARE I PLAST CRUISE ELEGANCE |