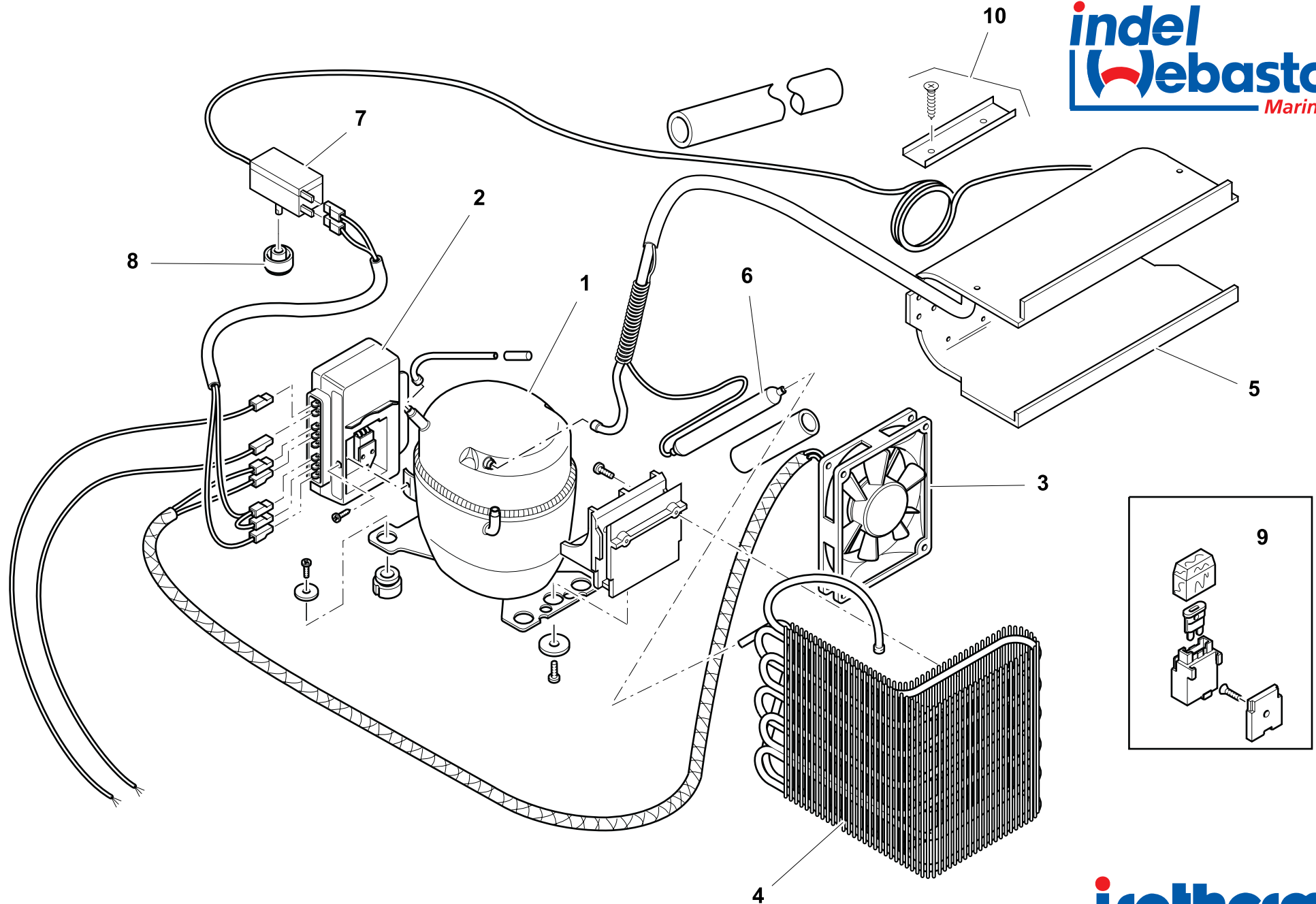


CR 100 - CABINET



CR 100 - COOLING UNIT

NUMERO NUMBER	CODICE ARTICOLO ITEM CODE	DESCRIZIONE ARTICOLO ITEM DESCRIPTION
1	SBA00002DA	COMPRESSORE DANFOSS BD35F DANFOSS COMPRESSOR BD35F 12/24V NO ELECTRICAL UNIT
2	SEG00002DA	CENTRALINA DANFOSS BD35/50F 12/24V ELECTRICAL UNIT DANF. 101N0210 BD35/50F 12/24V
2	SEG00030GA	CENTRALINA DANFOSS BD35/50F AC/DC 12/24V DC 110/220V AC ELECT. UNIT DANFOSS BD35F/50FAC/DC 12/24V-115/230V
3	SBG00005BA	VENTOLA CABLATA 12V LOW SPEED FAN 12V LOW SPEED FOR COMPACT AND CRUISE
4	SBD00028AA	CONDENSATORE A FILO AIR CONDENSER PIN TYPE WITH BRACKET
5	SBF00059AA	EVAPORATORE CR80/100/120L EVAPORATOR CRUISE 80/100/120L
6	SBD00073AA	FILTRO 10g PER CR FILTER 10Gr FOR R134a B041 TUBE 6+2mm (CRUISE/DANFOSS)
7	SEA00031DA	TERMOSTATO CR42/49/50/65/85/100/120/130/TB26/BI41 THERMOSTAT CR42/49/50/65/85/100/120/130/BI41/TB26/
8	SEA00027AA	MANOPOLA TERMOSTATO CR80-120L MOD. RIBASSATO THERMOSTAT KNOB FOR CR80/120L
9	SEB00039AA	KIT PORTA-FUSIBILE 15A FUSE-KIT 15A
10		
11	SGB00034AA	CONVOGLIATORE ARIA CR100 TOP VENT. PLATE FOR CR100
12	SBE00054AA	CERNIERA CRUISE DOOR SUPPORT
13	SGC00044AA	GRIGLIA SUPERIORE VENT. CR100 TOP GRILL CR100
14		
15	SGC00022AA	CUBETTIERA ICE CUBE
16	SBE00039AA	PERNO PORTA CR80/100/120 DOOR HINGE PIN LOWER CR80-100-120
17	SDF00010AA	PIEDINI CR130 RUBBER FOOT CRUISE
18	SGC00028AA	SGOCCIOLATOIO CR80/100/120 DRIP TRAY CR80/100/120
19	SDF00014AA	KIT FISSAGGIO EVAP. PIANO KIT FOR FIXING FLAT EVAPORATOR
20	SGC00029AA	PORTINA EVAPORATORE CR80/100/120/90FR 395x147mm EVAPORATOR DOOR CR80/100/120/90FR
21	SGC00012AA	GRIGLIA INTERNA CR80/100 INTERNAL SHELF CR80-100
22		
23	SGD00008AA	KIT MANIGLIA DOOR KIT HANDLE CRUISE
24	SGC00043AA	PORTA CR100 DOOR CR100
25	SGA00045AA	PANNELLO PORTA CR100 GRIGIO STANDARD DOORFRONT GREY STANDARD CR100
26	SGC00062AA	PROFILO FISS. PANNELLO CR100 PROFILE FOR FIXING PANEL CR100
27	SGC00148AA	BALCONCINO VASCA CR100 CON SOSTEGNI RETAINER CR100
28	SGC00073AA	FILONCINO METALLO PER BALCONCINO CR80/100 SHELF ROD CR80/100