

AirV

EXTRA HEAVY DUTY RADIAL BLOWERS



Marine ventilation blowers that are designed for engine compartment ventilation prior to start up. AirV heavy duty blowers are designed for air intake or extraction in bilges, galleys, accommodation and other compartments.

Features & Benefits

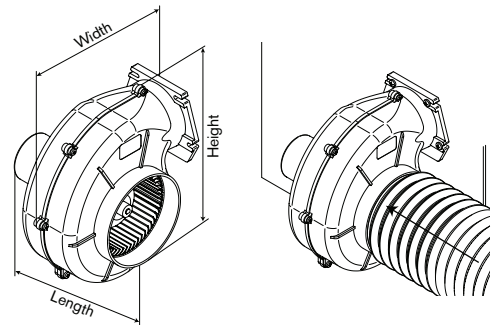
- Flange Mount and Flex Mount design
- Compact design easy to install, even in tight spaces
- High-impact anti-shock ABS body
- Shaft and Screws in stainless steel
- Capacity range 280 m³ per hour / 163 cfm to 1000 m³ per hour / 589 cfm
- 12V or 24V motors
- Low power consumption
- Double ball bearing motor

CE marked according to following standards:
 ISO 9097:1991 Marine (Small craft, Electrical fans)
 ISO 8846:1990 (Ignition protection)
 ISO 10133: 2000 (Electrical systems)
 EN 55014-1:2006 (2004/108EC)
 Complies with:
 N.M.M.A
 USCG 183.410

Technical Data

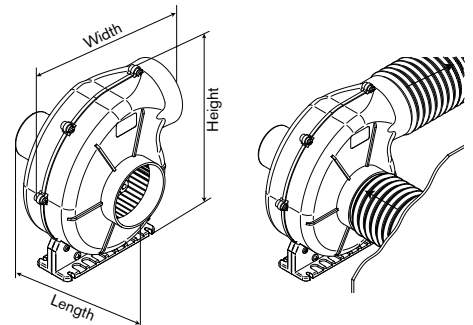
Flange Mount

JP PART NO	DESIGNATION	CAPACITY	DIMENSIONS H X W X L	PORT CONNEC- TIONS	CURRENT [AMP]
80-47416-01	AIRV 3-280 FLANGE MOUNT, 12V	280 M3 PER HOUR / 163 CFM	200 X 165 X 195 MM	INLET: 75 MM - OUTLET: 72 MM	3,9
80-47416-02	AIRV 3-280 FLANGE MOUNT, 24V	280 M3 PER HOUR / 163 CFM	200 X 165 X 195 MM	INLET: 75 MM - OUTLET: 72 MM	2,5
80-47417-01	AIRV 4-550 FLANGE MOUNT, 12V	550 M3 PER HOUR / 324 CFM	290 X 257 X 150 MM	INLET: 100 MM - OUTLET: 103 MM	12,5
80-47417-02	AIRV 4-550 FLANGE MOUNT, 24V	550 M3 PER HOUR / 324 CFM	290 X 257 X 150 MM	INLET: 100 MM - OUTLET: 103 MM	7
80-47418-01	AIRV 4-750 FLANGE MOUNT, 12V	750 M3 PER HOUR / 441 CFM	290 X 257 X 150 MM	INLET: 150 MM - OUTLET: 103 MM	14,5
80-47418-02	AIRV 4-750 FLANGE MOUNT, 24V	750 M3 PER HOUR / 441 CFM	290 X 257 X 150 MM	INLET: 150 MM - OUTLET: 103 MM	8,5
80-47419-02	AIRV 4-1000 FLANGE MOUNT, 24V	1000 M3 PER HOUR / 589 CFM	290 X 257X 180 MM	INLET: 150 MM - OUTLET: 103 MM	15,5



Flex Mount

JP PART NO	DESIGNATION	CAPACITY	DIMENSIONS H X W X L	PORT CONNEC- TIONS	CURRENT [AMP]
80-47420-01	AIRV 4-550 FLEX MOUNT, 12V	550 M3 PER HOUR / 324 CFM	290 X 257 X 150 MM	INLET: 110 MM - OUTLET: 103 MM	12,5
80-47420-02	AIRV 4-550 FLEX MOUNT, 24V	550 M3 PER HOUR / 324 CFM	290 X 257 X 150 MM	INLET: 110 MM - OUTLET: 103 MM	7
80-47421-01	AIRV 4-750 FLEX MOUNT, 12V	750 M3 PER HOUR / 441 CFM	290 X 257 X 150 MM	INLET: 150 MM - OUTLET: 103 MM	14,5
80-47421-02	AIRV 4-750 FLEX MOUNT, 24V	750 M3 PER HOUR / 441 CFM	290 X 257 X 150 MM	INLET: 150 MM - OUTLET: 103 MM	8,5
80-47422-02	AIRV 4-1000 FLEX MOUNT, 24V	1000 M3 PER HOUR / 589 CFM	290 X 257X 180 MM	INLET: 150 MM - OUTLET: 103 MM	15,5



SPX

SPX Flow Technology Sweden AB, P.O.Box 1436, SE-701 14 Örebro, Sweden
P: +46 (0)19 21 83 00 F: +46 (0)19 27 23 72 E: johnson-pump.marine@spx.com

For more information about our worldwide locations, approvals, certifications, and local representatives, please visit www.spx.com.

SPX Corporation reserves the right to incorporate our latest design and material changes without notice or obligation. Design features, materials of construction and dimensional data, as described in this bulletin, are provided for your information only and should not be relied upon unless confirmed in writing.

ISSUED 05/2013 COPYRIGHT © 2012 SPX Corporation