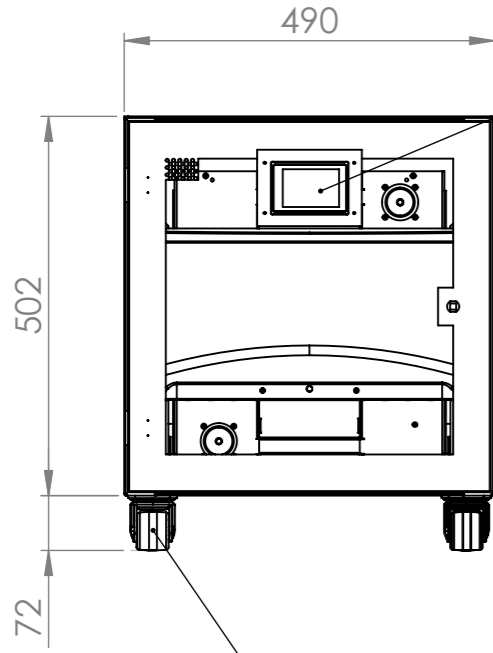
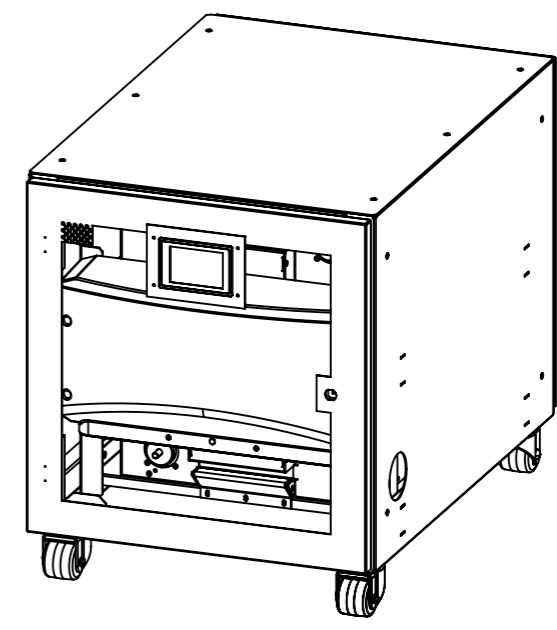
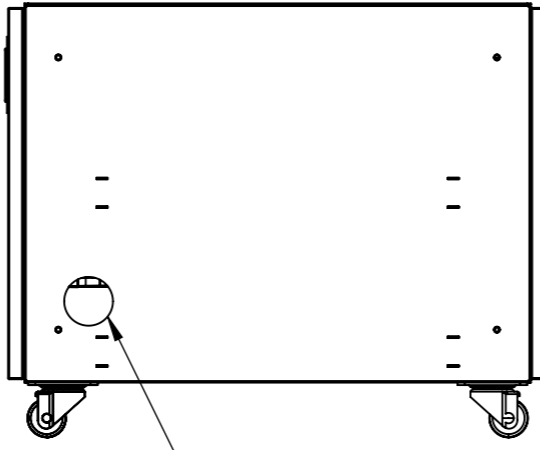


Front door hinged at the left side

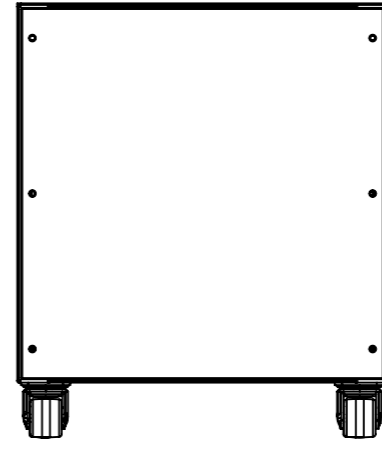


Optional MG energy monitor

Optional wheels



Cable throughput $\phi 64.5$



Note:
 - wheels are optional and can be removed leaving 502mm normal height
 - MG energy monitor is optional, removed the length is 712mm
 - E-Rack can be stacked horizontally and vertically

MG ENERGY SYSTEMS Innovation in energy storage Foeke Sjoerdswei 3 8914 BH Leeuwarden T: +31 (0)58-750 89 47 M: +31 (0)6 15 44 33 42 E: info@mgenergysystems.eu W: www.mgenergysystems.eu		General tolerance according to ISO 2768-mH and ISO 286										Angular (length of shorter leg)						
		over (mm)	0.5	6	30	120	400	1000	2000	0	10	50	120	400				
up to (mm)	6	30	120	400	1000	2000	4000	10	50	120	400	-						
tolerance (mm, deg)	± 0.1	± 0.2	± 0.3	± 0.5	± 0.8	± 1.2	± 2.0	$\pm 1^\circ$	$\pm 0^\circ 30'$	$\pm 0^\circ 20'$	$\pm 0^\circ 10'$	$\pm 0^\circ 5'$						
All drawings are property of MG Energy Systems. Drawings may not be shown, copied or reproduced without approval of MG Energy Systems.												Roughness according to ISO 1302						
Dimensions are in mm, unless otherwise specified												General tolerance for form and position according to ISO 1101						
Drawn by:	F. Schothorst		Date:	19-6-2019	Sheet:	1 of 1		Title:	E-Rack system 2xHE300 1x MasterLV 1xMGEnergyMonitor								Format	A3
Checked by:			Date:	19-6-2019	Scale:	1:10		Part nr.:	MG3000043A								Rev.	A
Material:			Proj.:					Desc.:	E-Rack system 2xHE300 1x MasterLV 1xMGEnergyMonitor									
Weight:	g																	